

# EBK Machine Tool Control Transformer

## Summary

EBK series Machine Tool control transformer is based on the BK series control transformer, further absorb the advantages of similar products in home and outside, and using advanced manufacturing techniques and rigorous design, and advanced optimization methods of terminals, with excellent performance, reliable and low power consumption, small size, connection security, and wide applicability of the characteristics of an ideal transformer power supply.

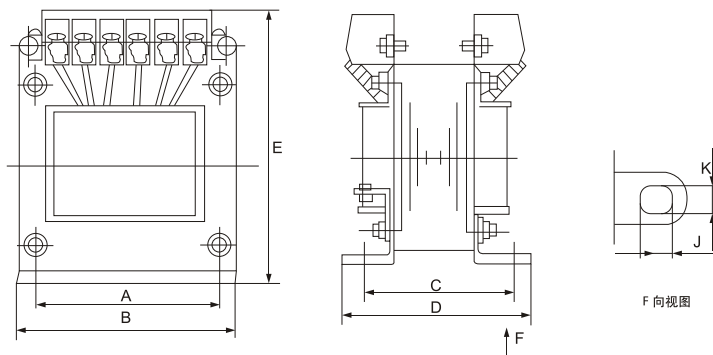
## Application

EBK series machine tool control transformer is suitable for circuit of 50-60Hz, voltage up to 500V, usually applied as power supply for machine tool electrical appliances, local lighting and indicator lamps. Also used to do small-scale power supply.

## Working environment and normal operating conditions

1. Altitude for installing place should not exceed 2000m.
2. The maximum ambient temperature +40°C, the average temperature per month not exceed +30°C, The annual average temperature not exceed +20°C
3. The relative humidity of the atmosphere not exceed 95%
4. In ambient air, non-corrosive metal box containing the destruction of harmful gases or dust insulation, shall be held in transformer by water, fish, snow erosion in used.
5. Power supply voltage waveform is similar to sine wave.

## Outline and installation dimension



## Instruction

1. Please estimate of the total electrical capacity and selection a considerable of transformer capacity before you buy, ensuring instant startup without burned transformer
2. This transformers strict in accordance with the relevant national standards for design and production, the capacity should be compared with a corresponding increase in voltage transformer capacity when you use the multi-winding (multi-control voltage) transformer, to avoid damaging the transformers.
3. should be carefully checking the data in nameplate whether comply to your request before installation, confirm correct before installation
4. the transformer core and coil to heat (the temperature not exceed 80°C) is a normal phenomenon after work, if the temperature over 80, and even smoke, they should cut off the power switch, re-check your electrical appliance
5. we should try to avoid collisions, not damp in transportation, please note that maintenance, in order to protect the transformer life when use.

Type	Overall size(mm)			Installation size(mm)	
	B max	D max	E max	K	J
EBK-50A	85	80	92	65	60
EBK-100A	103	90	110	75	64
EBK-150A	103	98	110	75	74
EBK-200A	103	105	110	75	77
EBK-250A	114	122	125	90	90
EBK-300A	114	127	125	90	95
EBK-400A	132	130	142	94	97
EBK-500A	132	135	142	94	102
EBK-700A	150	140	175	127	115
EBK-1000A	150	155	175	127	130
EBK-1500A	171	175	190	130	150
EBK-2000A	171	195	190	130	170